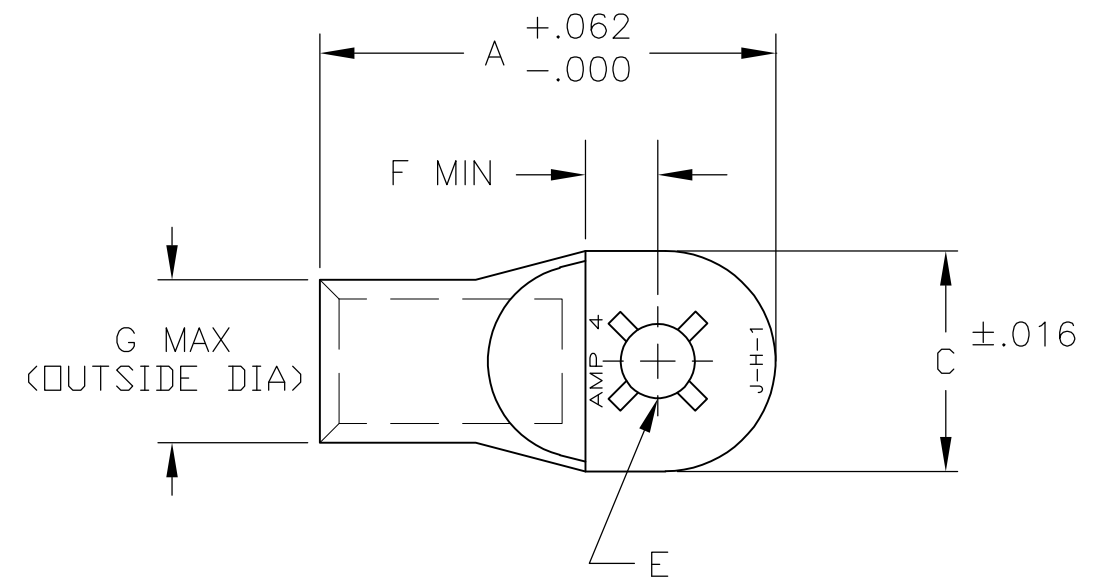
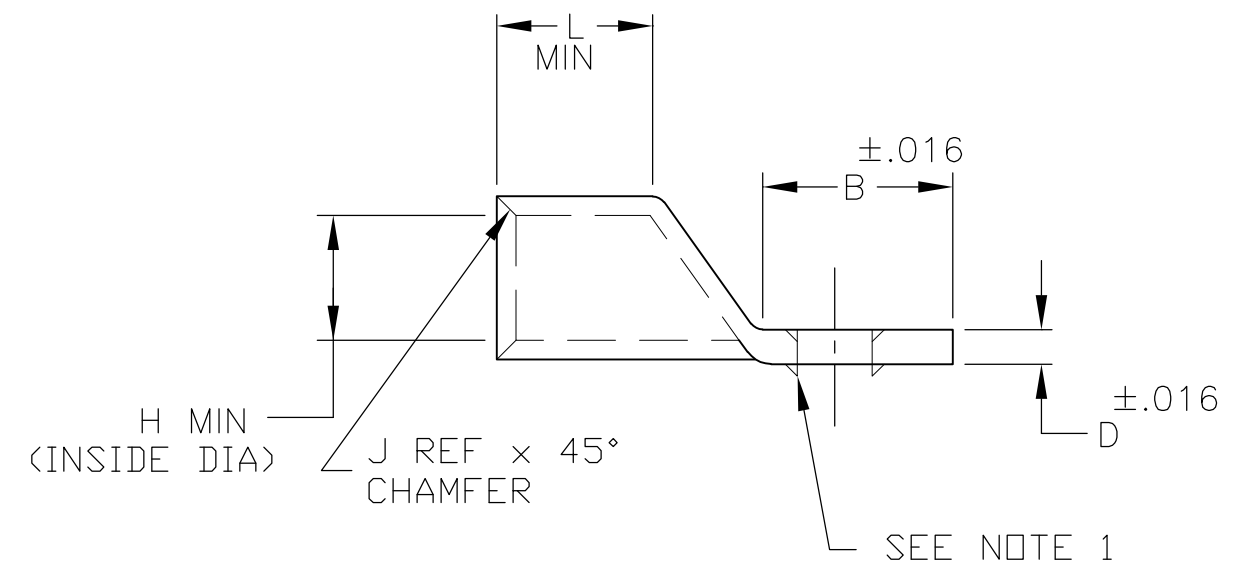


THIS DRAWING IS UNPUBLISHED. RELEASED FOR PUBLICATION
 © COPYRIGHT BY TYCO ELECTRONICS CORPORATION. ALL RIGHTS RESERVED.

LOC	DIST	REVISIONS					
G	86	P	LTR	DESCRIPTION	DATE	DWN	APVD
		D1		REV PER ECR 08-015124	13JUN08	JR	CK



1. LOCKING LANCE FOR P/N -3 ONLY.



.375	.748 MIN	.032	.301	.454	.429	ø.394	.138	.630	.843	1.925	606289-5
.500	.748 MIN	.032	.301	.454	.543	ø.512	.109	.750	1.075	2.187	606289-4
.375	.748 MIN	.032	.301	.454	.424	ø.394	.141	.641	.831	1.906	606289-3
.312	.748 MIN	.032	.301	.454	.356	ø.328	.141	.641	.732	1.813	606289-2
.250	.748 MIN	.032	.301	.454	.309	ø.265	.141	.641	.591	1.693	606289-1
BOLT HOLE SIZE	L	J	H	G	F	E	D	C	B	A	PART NUMBER

THIS DRAWING IS A CONTROLLED DOCUMENT.		DWN L. HALL 18APR00	Tyco Electronics Corporation Harrisburg, PA 17105												
DIMENSIONS: INCHES		CHK L.H. SMITH 12MAY00	NAME AMP TUBULAR TERMINAL 4 AWG												
TOLERANCES UNLESS OTHERWISE SPECIFIED:		APVD B. ANTHONY 12MAY00	PRODUCT SPEC												
<table border="0"> <tr><td>0 PLC</td><td>±</td></tr> <tr><td>1 PLC</td><td>±</td></tr> <tr><td>2 PLC</td><td>± .02</td></tr> <tr><td>3 PLC</td><td>± .005</td></tr> <tr><td>4 PLC</td><td>± .0005</td></tr> <tr><td>ANGLES</td><td>± 3°</td></tr> </table>		0 PLC	±	1 PLC	±	2 PLC	± .02	3 PLC	± .005	4 PLC	± .0005	ANGLES	± 3°	APPLICATION SPEC	
0 PLC	±														
1 PLC	±														
2 PLC	± .02														
3 PLC	± .005														
4 PLC	± .0005														
ANGLES	± 3°														
MATERIAL HIGH CONDUCTIVITY WROUGHT COPPER	FINISH ELECTRO TIN PLATE	WEIGHT	SIZE A3	CAGE CODE 00779											
CUSTOMER DRAWING		DRAWING NO G-606289	RESTRICTED TO												
		SCALE 1:1	SHEET 1 OF 1	REV D1											